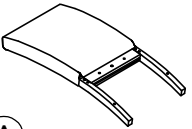
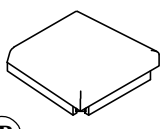
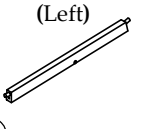
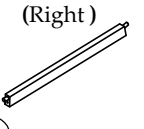
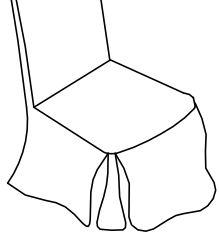
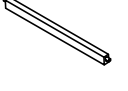
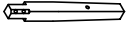
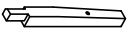
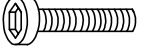
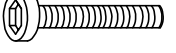





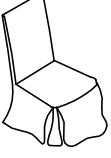
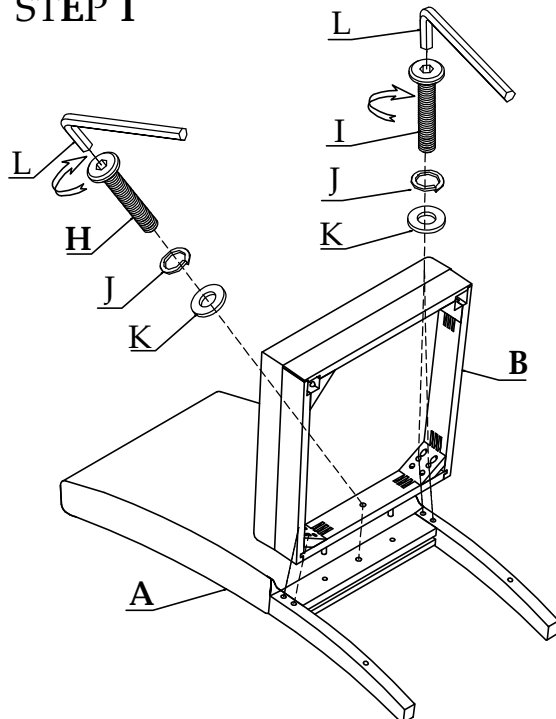


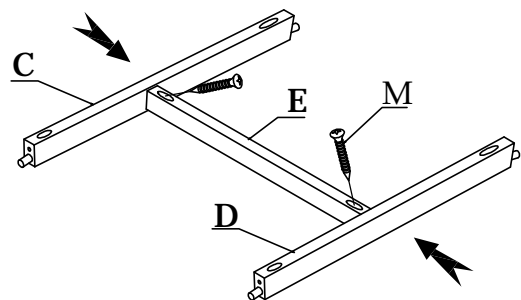
Components and Hardware List

<p>Chair Back</p>  <p>A 1 pc.</p>	<p>Chair Seat</p>  <p>B 1 pc.</p>	<p>Side Stretcher (Left)</p>  <p>C 1 pc.</p>	<p>Side Stretcher (Right)</p>  <p>D 1 pc.</p>	 <p>#36964 Parsons Chair Uph W/Cover</p>			
<p>Center Stretcher</p>  <p>E 1 pc.</p>	<p>Front Leg (Left)</p>  <p>F 1 pc.</p>	<p>Front Leg (Right)</p>  <p>G 1 pc.</p>	<p>M5/16"-18 X 2" Allen Head Bolt</p>  <p>H 5 pcs.</p>				
<p>M5/16"-18 X 3" Allen Head Bolt</p>  <p>I 4 pcs.</p>	<p>φ5/16"x14mm Spring Washer</p>  <p>J 9 pcs.</p>	<p>φ5/16"x19mm Flat Washer</p>  <p>K 9 pcs.</p>	<p>4mm Allen Key</p>  <p>L 1 pc.</p>			<p>#8 X 1-1/8" Wood Screw</p>  <p>M 2 pcs.</p>	<p>#8 X 1-1/2" Wood Screw</p>  <p>N 4 pcs.</p>
<p>Slip Cover</p>  <p>P 1 pc.</p>	<p>Be sure to check all packing material carefully for small parts, which may have come loose inside the carton during shipment.</p> <p>To prevent possible scratches and damage, this furniture must be assembled by two people on a soft surface such as a blanket or carpet.</p> <p>Do not fully tighten the bolts until the complete chair has been assembled. once the complete chair is assembled, set it upright on a flat surface to level the chair.using the provided allen key, tighten all the bolts.</p>						

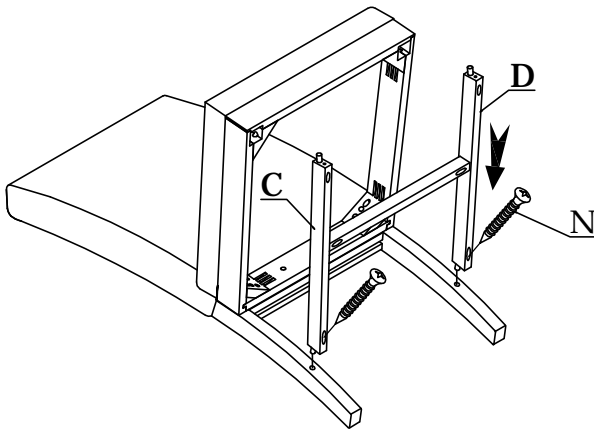
STEP 1



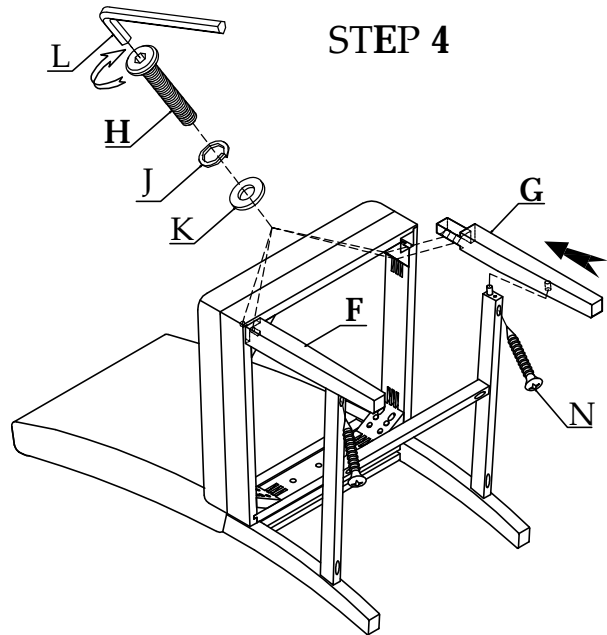
STEP 2



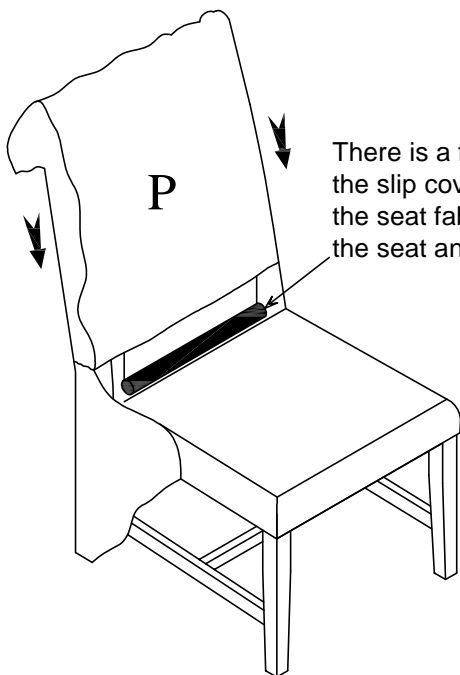
STEP 3



STEP 4

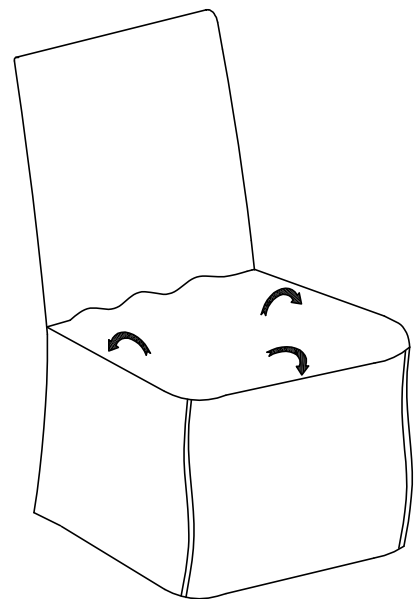


STEP 5

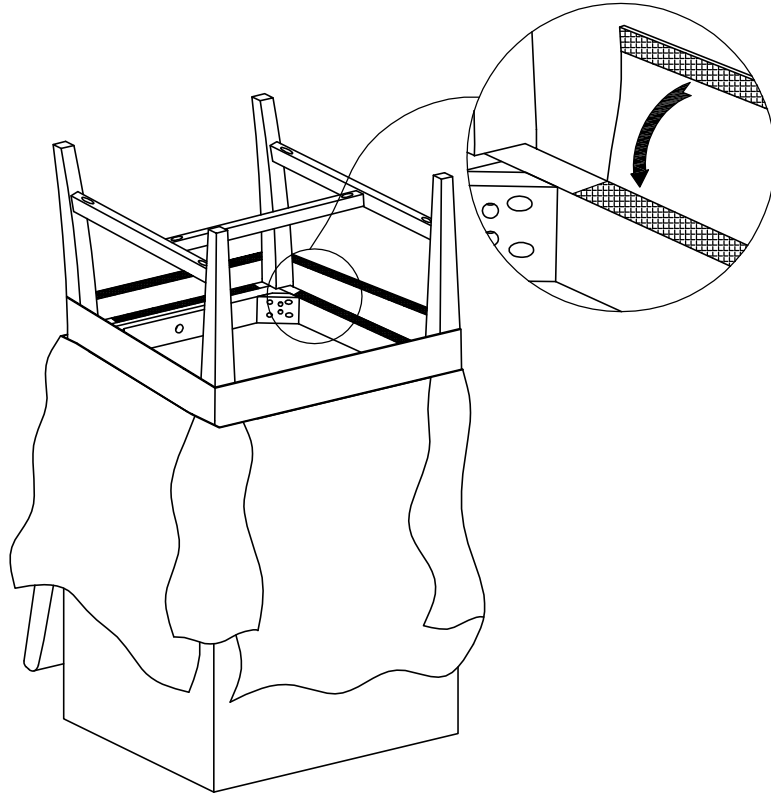


There is a foam rod sewn into the slip cover, to help tighten the seat fabric, tuck it between the seat and back panels.

STEP 6



STEP 7



STEP 8

